

Traditional Australian products
built to withstand traditional
Australian weather.



REAL-CRETE[®]
creative outdoor solutions

Joiners, Edgings and Garden Bed Guide

This easy to understand installation information will guide you on your Real-Crete® Joiners, Edgings and Garden Bed Selection

Our Real-Crete® Concrete Sleepers are steel reinforced to engineered specifications.

Gardening Sleepers (JS70)

- 1755mm x 200mm x 70mm (approx) weight 55 kgs (approx) are designed to be used in conjunction with our Real-Crete Joiner System.
The Real-Crete® Gardening Sleeper can be also used in steps, stepping stones, garden edgings, planter boxes, vegie gardens etc.

Our Joiner System;

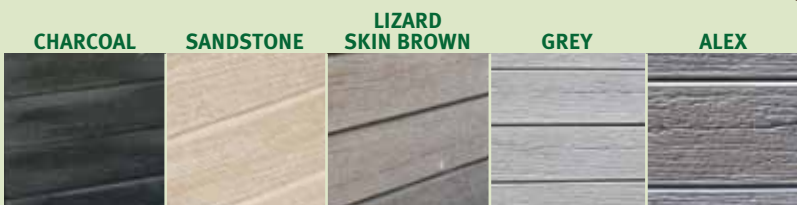
Is a fantastic alternative for commonly used bolts and screws of timber applications. These joiners are dug into the ground at approximately 150-200mm, they come in angled, straight or corner sections to enable almost any landscape design.

The 1755mm x 200mm x 70mm Sleeper (JS70) is then slotted into the joiner, depending on required height either 200mm or 400mm high (1 or 2 Sleepers high) – job complete, very easy!!

Real-Crete® Colour Selection

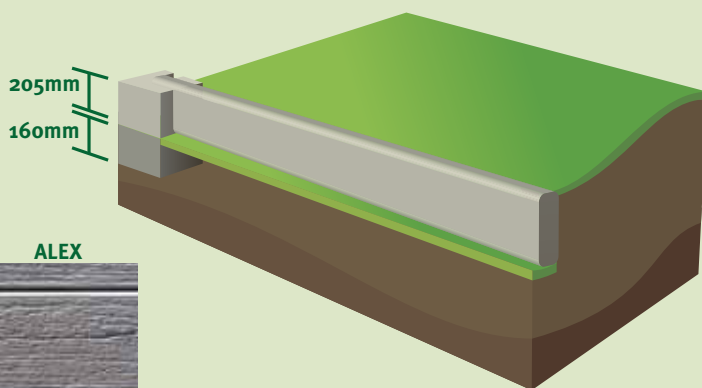
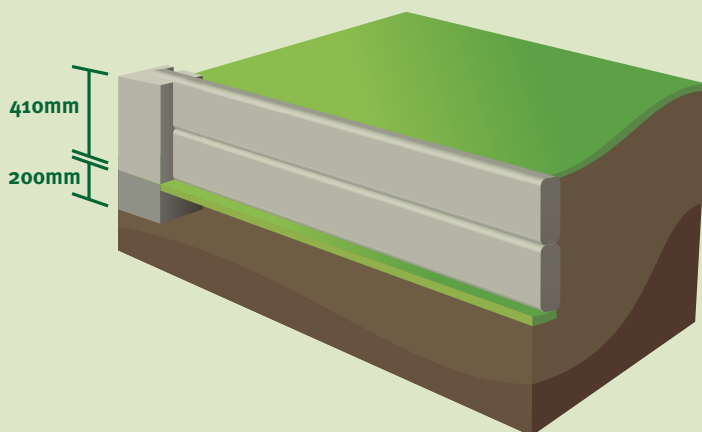
Real-Crete® Concrete Sleepers can be manufactured in a selection of colours. Our five most popular colours are shown below.

The colours are chemical bound throughout the concrete mixture at construction time ensuring that the colour is throughout the product – not painted on the outside.



Real-Crete® can also complete the installation for you.

Please note; Colours may vary slightly from sleeper to sleeper due to concrete pouring and curing processes. Some colours may 'salt' slightly. Due to current printing techniques, colours may vary. We recommend looking at real products to fully understand the colour selection before purchasing.



SDC Landscaping Products Pty Ltd
ACN: 152 363 767 ABN: 30 152 363 767

Mobile: 0400 693 509
Email: sdclandscaping@gmail.com

