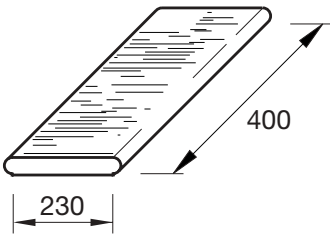




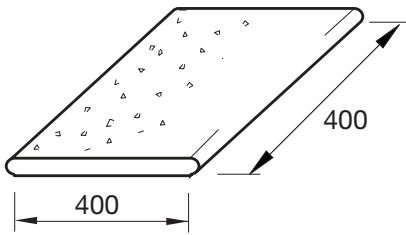
# WALL CAPPING

## Double Bullnose

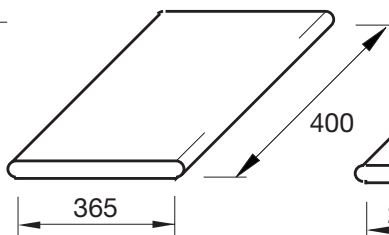
**Quarriedstone**  
WP/WC/DBN/QUA-1  
230x400x40



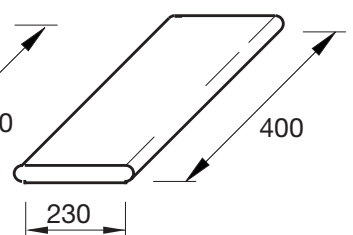
**Limestone**  
WP/WC/DBN-LIM  
400x400x40



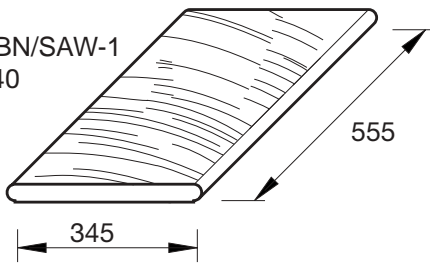
**Satinstone**  
WPSA/WC/DBN-365  
365x400x40  
WPSA/WC/DBN-400  
400x400x40



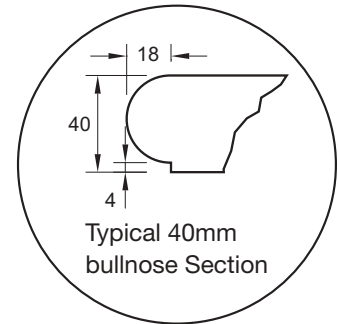
**Satinstone**  
WPSA/WC/DBN-230  
230x400x40



**Sawcut**  
WP/WC/DBN/SAW-1  
555x345x40



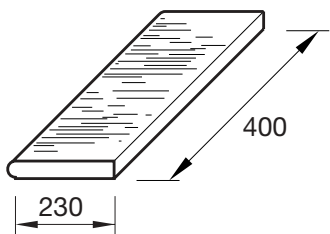
All bullnose measurements are base measurements only - they do not include bullnose.



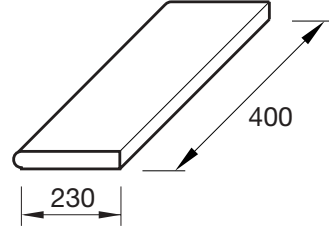
Typical 40mm bullnose Section

## Single Bullnose

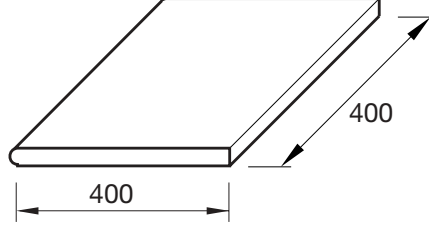
**Quarriedstone**  
WP/BN/QUA-4  
230x400x40



**Satinstone**  
WPSA/BN-230  
230x400x40



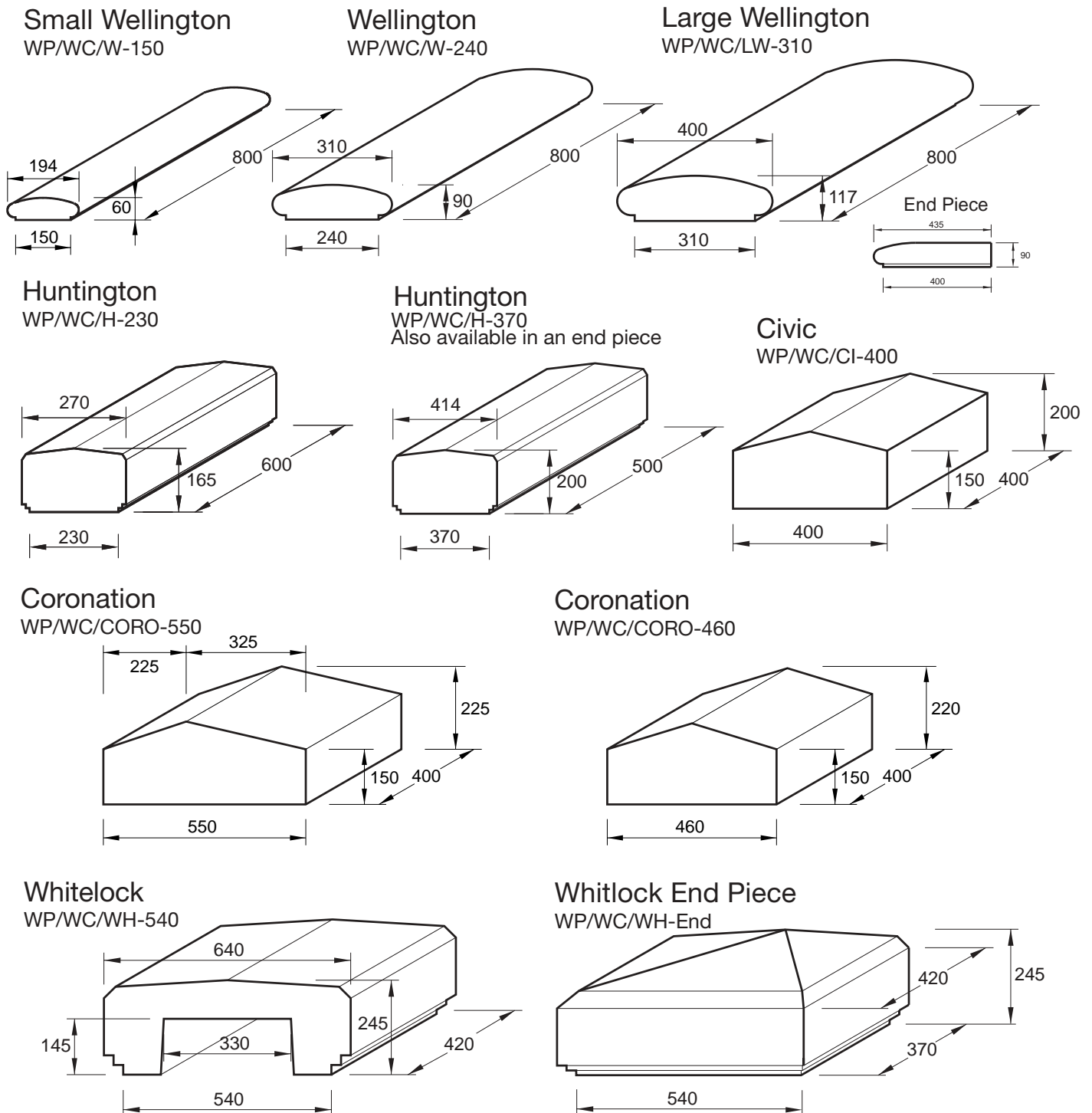
**Satinstone**  
WPSA/BN-443  
400x400x30



# WALL CAPPING CONTINUED

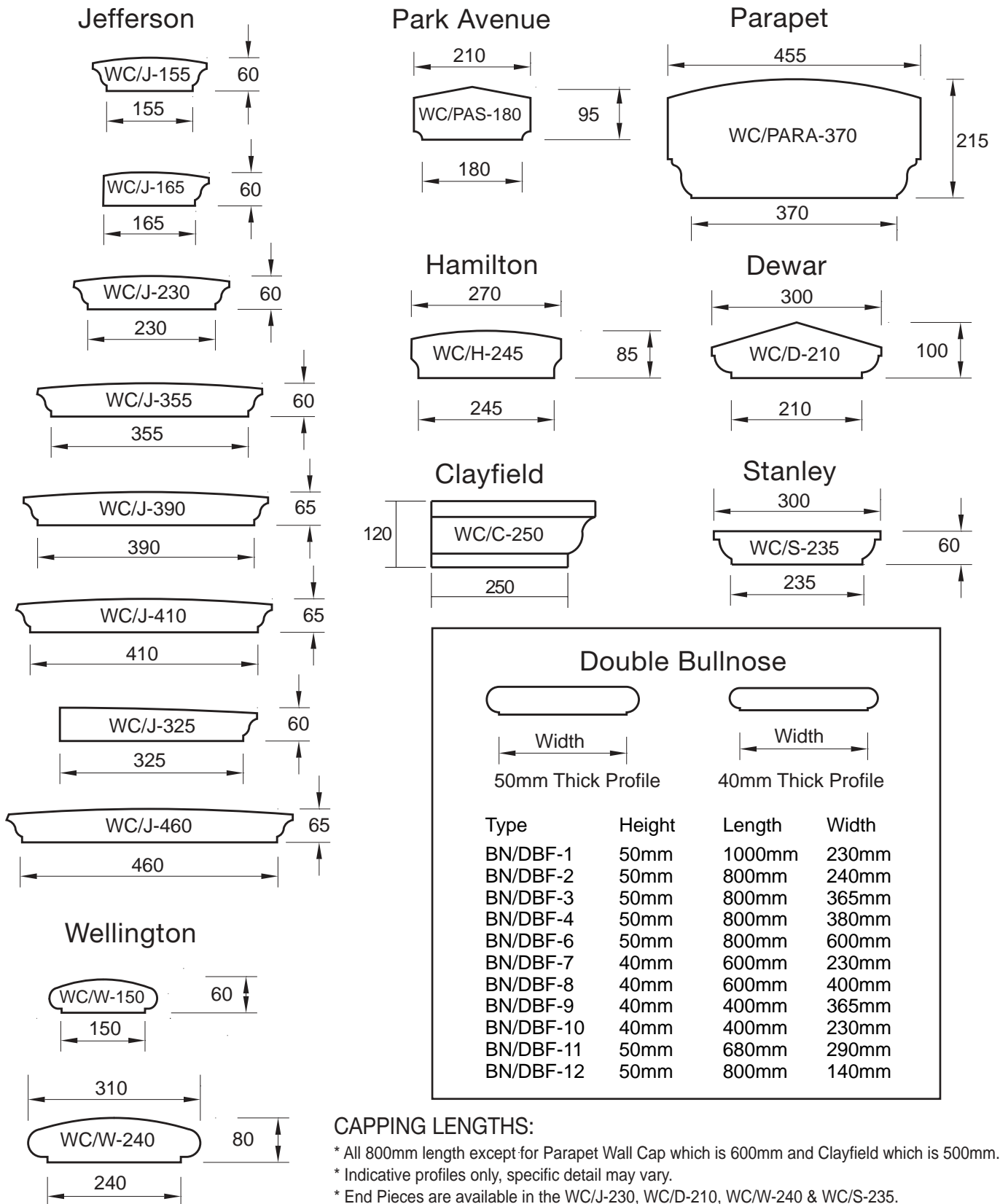
## Available in Satinstone or Silkstone Only

(codes indicated on drawings are all Silkstone, if Satinstone is required change WP to WPSA)



# WALL CAPPING CONTINUED

Available in Antiquestone Only



**CAPPING LENGTHS:**

- \* All 800mm length except for Parapet Wall Cap which is 600mm and Clayfield which is 500mm.
- \* Indicative profiles only, specific detail may vary.
- \* End Pieces are available in the WC/J-230, WC/D-210, WC/W-240 & WC/S-235.